

Wire Wound Chip Inductors

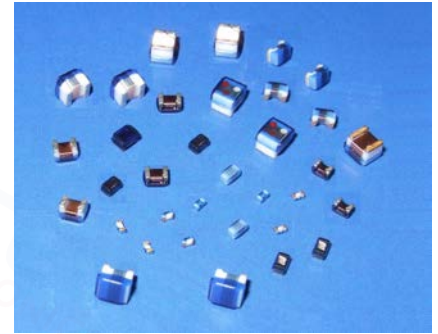


EWS Series(0402/0603/0805/1008/1210/1812)

REV: 0

Features

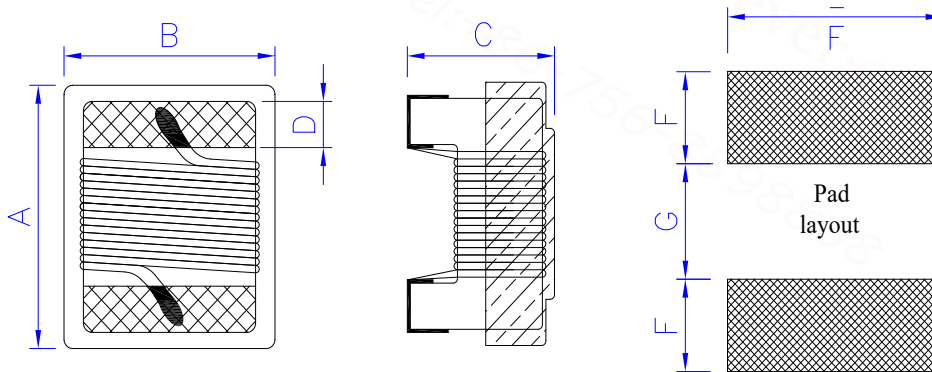
1. Minature size,suitable for SMT
2. Using terminal electrode structure to restrain the parasitic component effect quite caused by lead
3. Excellent in solderability and heat resistance
4. Best frequency special property and intense ability to resist interference.



Applications

1. Protoble communication equipment and PDA,High speed electronic device
2. Used for radiation high speed noise suppression

Shapes and Dimensions (Unit:mm)



Part NO.	A(Max.)	B(Max.)	C(Max.)	D	E	F	G
0402	1.19	0.66	0.64	0.23	0.64	0.40	0.64
0603	1.80	1.12	0.95	0.30	1.02	0.64	0.64
0805	2.29	1.73	1.52	0.50	1.78	1.02	0.76
1008	2.92	2.70	2.23	0.50	2.54	1.02	1.27
1210	3.50	2.90	2.25	0.50	2.54	1.02	1.78
1812	4.80	3.40	3.15	0.65	3.05	1.14	3.00

PRODUCT IDENTIFICATION

EWS 0805 UC 1R0 J S
 (1) (2) (3) (4) (5) (6)

(1)	(2)	(3)	(4)	(5)	(6)	
Product code	Spec Size (A×B) mm	Material code	L(nH)	Tol value	Electrode type	
Wire wound chip inductor	0402	UC: Ceramics IF: Ferrite	1N0	1.0	F:±1	G:GOLD
	0603		10N	10	G:±2	S:TIN
	0805		R10	100	J:±5	
	1008		1R0	1000	K:±10%	
	1210		100	10000	M:±20%	
	1812					

Wire Wound Chip Inductors



EWS Series(0402/0603/0805/1008/1210/1812)

REV: 0

▪ Product Specifications---EWS0402UC

SERIES	PART NUMBER	INDUCTANCE (nH)	Test Freq (MHz)	Q (min)	SRF(min) (GHz)	DCR(max) (Ω)	Irms(max) (mA)
EWS0402UC	EWS0402UC1N0□GT	1.0	250	16	12.70	0.045	1360
	EWS0402UC1N2□GT	1.2	250	15	12.90	0.090	740
	EWS0402UC1N3□GT	1.3	250	15	12.90	0.090	740
	EWS0402UC1N8□GT	1.8	250	20	12.00	0.070	1040
	EWS0402UC1N9□GT	1.9	250	20	11.30	0.070	1040
	EWS0402UC2N0□GT	2.0	250	23	11.10	0.070	1040
	EWS0402UC2N2□GT	2.2	250	22	10.80	0.070	960
	EWS0402UC2N4□GT	2.4	250	22	10.50	0.068	790
	EWS0402UC2N7□GT	2.7	250	16	10.40	0.120	640
	EWS0402UC3N0□GT	3.0	250	24	7.00	0.066	840
	EWS0402UC3N3□GT	3.3	250	24	7.00	0.066	840
	EWS0402UC3N6□GT	3.6	250	24	6.80	0.066	840
	EWS0402UC3N9□GT	3.9	250	24	6.00	0.066	840
	EWS0402UC4N3□GT	4.3	250	22	6.00	0.091	700
	EWS0402UC4N7□GT	4.7	250	20	4.77	0.130	640
	EWS0402UC5N1□GT	5.1	250	23	4.80	0.083	800
	EWS0402UC5N6□GT	5.6	250	25	4.80	0.083	760
	EWS0402UC6N2□GT	6.2	250	25	4.80	0.083	760
	EWS0402UC6N8□GT	6.8	250	24	4.80	0.083	680
	EWS0402UC7N3□GT	7.3	250	25	4.80	0.100	680
EWS0402UC7N5□GT	7.5	250	25	4.80	0.100	680	
EWS0402UC8N2□GT	8.2	250	25	4.40	0.100	680	
EWS0402UC8N7□GT	8.7	250	25	4.10	0.200	480	

※Design as Customer's Requested Specifications.

Wire Wound Chip Inductors



EWS Series(0402/0603/0805/1008/1210/1812)

REV: 0

Product Specifications---EWS0402UC

SERIES	PART NUMBER	INDUCTANCE (nH)	Test Freq (MHz)	Q (min)	SRF(min) (GHz)	DCR(max) (Ω)	Irms(max) (mA)
EWS0402UC	EWS0402UC9N0□GT	9.0	250	25	4.16	0.100	680
	EWS0402UC9N1□GT	9.1	250	25	4.16	0.100	680
	EWS0402UC9N5□GT	9.5	250	24	4.00	0.200	480
	EWS0402UC10N□GT	10	250	24	3.90	0.200	480
	EWS0402UC11N□GT	11	250	26	3.68	0.120	640
	EWS0402UC12N□GT	12	250	26	3.60	0.120	640
	EWS0402UC13N□GT	13	250	24	3.45	0.210	440
	EWS0402UC15N□GT	15	250	26	3.28	0.170	560
	EWS0402UC16N□GT	16	250	25	3.10	0.220	560
	EWS0402UC18N□GT	18	250	25	3.10	0.230	420
	EWS0402UC19N□GT	19	250	26	3.04	0.200	480
	EWS0402UC20N□GT	20	250	26	3.00	0.250	420
	EWS0402UC22N□GT	22	250	25	2.80	0.300	400
	EWS0402UC23N□GT	23	250	25	2.72	0.300	400
	EWS0402UC24N□GT	24	250	25	2.70	0.300	400
	EWS0402UC27N□GT	27	250	25	2.48	0.300	400
	EWS0402UC30N□GT	30	250	25	2.35	0.350	400
	EWS0402UC33N□GT	33	250	24	2.35	0.400	400
	EWS0402UC36N□GT	36	250	25	2.32	0.440	320
	EWS0402UC39N□GT	39	250	25	2.10	0.550	200
	EWS0402UC40N□GT	40	250	24	2.24	0.650	320
	EWS0402UC43N□GT	43	250	25	2.03	0.810	100
	EWS0402UC47N□GT	47	250	25	2.10	0.830	150
	EWS0402UC51N□GT	51	250	25	1.75	0.820	100
	EWS0402UC56N□GT	56	250	25	1.76	0.970	100
	EWS0402UC62N□GT	62	250	25	1.62	1.120	100
	EWS0402UC68N□GT	68	250	25	1.62	1.120	100
	EWS0402UC72N□GT	72	250	25	1.26	1.550	50
	EWS0402UC75N□GT	75	250	25	1.26	1.550	50
	EWS0402UC82N□GT	82	250	25	1.26	1.550	50
EWS0402UC91N□GT	91	250	24	1.16	2.000	30	
EWS0402UCR10□GT	100	250	24	1.16	2.000	30	
EWS0402UCR12□GT	120	250	24	1.10	2.660	50	

※Design as Customer's Requested Specifications.

Wire Wound Chip Inductors



EWS Series(0402/0603/0805/1008/1210/1812)

REV: 0

▪ Product Specifications---EWS0603UC

SERIES	PART NUMBER	INDUCTANCE (nH)	Test Freq (MHz)	Q (min)	SRF(min) (MHz)	DCR(max) (Ω)	Irms(max) (mA)
EWS0603UC	EWS0603UC1N5□ST	1.5	250	24	12500	0.030	700
	EWS0603UC1N6□ST	1.6	250	24	12500	0.030	700
	EWS0603UC1N8□ST	1.8	250	16	12500	0.045	700
	EWS0603UC2N0□ST	2.0	250	12	12500	0.250	100
	EWS0603UC2N2□ST	2.2	100	12	12500	0.250	100
	EWS0603UC2N7□ST	2.7	250	22	5900	0.045	700
	EWS0603UC3N3□ST	3.3	250	22	5900	0.045	700
	EWS0603UC3N6□ST	3.6	250	22	5900	0.063	700
	EWS0603UC3N9□ST	3.9	250	22	6900	0.080	700
	EWS0603UC4N3□ST	4.3	250	22	5900	0.063	700
	EWS0603UC4N7□ST	4.7	250	20	5800	0.116	700
	EWS0603UC5N1□ST	5.1	250	20	5700	0.140	700
	EWS0603UC5N6□ST	5.6	250	26	4760	0.075	700
	EWS0603UC6N2□ST	6.2	250	20	5700	0.140	700
	EWS0603UC6N3□ST	6.3	250	20	5700	0.140	700
	EWS0603UC6N8□ST	6.8	250	27	5800	0.110	700
	EWS0603UC7N5□ST	7.5	250	28	4800	0.106	700
	EWS0603UC8N0□ST	8.0	250	28	4700	0.109	700
	EWS0603UC8N2□ST	8.2	250	30	4200	0.115	700
	EWS0603UC8N7□ST	8.7	250	28	4600	0.109	700
	EWS0603UC9N1□ST	9.1	250	28	5400	0.125	700
	EWS0603UC9N5□ST	9.5	250	28	5400	0.125	700
	EWS0603UC10N□ST	10.0	250	31	4800	0.130	700
	EWS0603UC11N□ST	11.0	250	30	4000	0.130	700
	EWS0603UC12N□ST	12.0	250	35	4000	0.130	700
	EWS0603UC13N□ST	13.0	250	35	4000	0.130	700
	EWS0603UC15N□ST	15.0	250	35	4000	0.170	700
	EWS0603UC16N□ST	16.0	250	34	3300	0.170	700
	EWS0603UC18N□ST	18.0	250	35	3100	0.170	700
	EWS0603UC20N□ST	20.0	250	36	3000	0.180	700
EWS0603UC22N□ST	22.0	250	38	3000	0.190	700	
EWS0603UC23N□ST	23.0	250	38	3000	0.190	700	
EWS0603UC24N□ST	24.0	250	36	2650	0.135	700	
EWS0603UC27N□ST	27.0	250	40	2800	0.220	600	
EWS0603UC30N□ST	30.0	250	37	2250	0.220	600	

※Design as Customer's Requested Specifications.

Wire Wound Chip Inductors



EWS Series(0402/0603/0805/1008/1210/1812)

REV: 0

▪ Product Specifications---EWS0603UC

SERIES	PART NUMBER	INDUCTANCE (nH)	Test Freq (MHz)	Q (min)	SRF(min) (MHz)	DCR(max) (Ω)	Irms(max) (mA)
EWS0603UC	EWS0603UC33N□ST	33	250	40	2300	0.220	600
	EWS0603UC36N□ST	36	250	37	2080	0.250	600
	EWS0603UC39N□ST	39	250	40	2200	0.250	600
	EWS0603UC43N□ST	43	250	38	2000	0.280	600
	EWS0603UC47N□ST	47	200	38	2000	0.280	600
	EWS0603UC51N□ST	51	200	35	1900	0.270	600
	EWS0603UC56N□ST	56	200	38	1900	0.310	600
	EWS0603UC60N□ST	60	200	37	1800	0.330	600
	EWS0603UC62N□ST	62	200	37	1800	0.330	600
	EWS0603UC68N□ST	68	200	37	1700	0.340	600
	EWS0603UC72N□ST	72	150	34	1700	0.490	400
	EWS0603UC75N□ST	75	150	28	1700	0.520	400
	EWS0603UC82N□ST	82	150	34	1700	0.540	400
	EWS0603UC85N□ST	85	150	34	1700	0.580	400
	EWS0603UC91N□ST	91	150	28	1600	0.580	400
	EWS0603UCR10□ST	100	150	34	1400	0.580	400
	EWS0603UCR11□ST	110	150	32	1350	0.610	300
	EWS0603UCR12□ST	120	150	32	1300	0.650	300
	EWS0603UCR13□ST	130	150	32	1150	0.920	290
	EWS0603UCR135□ST	130	150	32	990	0.920	290
	EWS0603UCR15□ST	150	150	28	990	0.920	280
	EWS0603UCR16□ST	160	150	28	990	1.250	280
	EWS0603UCR18□ST	180	100	25	990	1.250	240
	EWS0603UCR20□ST	200	100	25	900	1.980	200
	EWS0603UCR215□ST	215	100	25	900	2.100	200
	EWS0603UCR22□ST	220	100	25	900	2.100	200
	EWS0603UCR24□ST	240	100	25	900	2.200	200
	EWS0603UCR25□ST	250	100	25	882	2.550	120
	EWS0603UCR27□ST	270	100	26	830	2.160	170
	EWS0603UCR29□ST	290	100	25	800	3.200	100
EWS0603UCR30□ST	300	100	25	790	2.500	100	
EWS0603UCR33□ST	330	100	25	790	3.890	100	
EWS0603UCR39□ST	390	100	25	780	4.350	100	
EWS0603UCR47□ST	470	100	25	700	4.500	100	
EWS0603UCR56□ST	560	100	23	460	5.000	90	

※Design as Customer's Requested Specifications.

Wire Wound Chip Inductors



EWS Series(0402/0603/0805/1008/1210/1812)

REV: 0

▪ Product Specifications---EWS0805UC

SERIES	PART NUMBER	INDUCTANCE (nH)	Test Freq (MHz)	Q (min)	SRF(min) (MHz)	DCR(max) (Ω)	Irms(max) (mA)
EWS0805UC	EWS0805UC2N2□ST	2.2	250	50@1GHz	7900	0.06	800
	EWS0805UC2N7□ST	2.7	250	50@1GHz	7900	0.06	800
	EWS0805UC2N8□ST	2.7	250	50@1GHz	7900	0.06	800
	EWS0805UC2N9□ST	2.9	250	50@1GHz	7900	0.06	800
	EWS0805UC3N0□ST	3.0	250	50@1GHz	7900	0.06	800
	EWS0805UC3N3□ST	3.3	250	40@1.5GHz	7900	0.08	600
	EWS0805UC3N6□ST	3.6	250	20@1GHz	7900	0.10	200
	EWS0805UC3N9□ST	3.9	250	20@1GHz	7900	0.11	150
	EWS0805UC4N7□ST	4.7	250	50@1GHz	6200	0.08	600
	EWS0805UC5N1□ST	5.1	250	50@1GHz	6200	0.08	600
	EWS0805UC5N6□ST	5.6	250	65@1GHz	5900	0.08	600
	EWS0805UC6N2□ST	6.2	250	65@1GHz	5900	0.08	600
	EWS0805UC6N8□ST	6.8	250	50@1GHz	5600	0.11	600
	EWS0805UC7N5□ST	7.5	250	50@1GHz	4800	0.14	600
	EWS0805UC8N2□ST	8.2	250	50@1GHz	4400	0.12	600
	EWS0805UC9N1□ST	9.1	250	60@500MHz	4300	0.10	600
	EWS0805UC10N□ST	10.0	250	60@500MHz	4300	0.10	600
	EWS0805UC12N□ST	12.0	250	50@500MHz	4000	0.15	600
	EWS0805UC15N□ST	15.0	250	50@500MHz	3200	0.17	600
	EWS0805UC16N□ST	16.0	250	50@500MHz	3200	0.17	600
	EWS0805UC18N□ST	18.0	250	50@500MHz	3100	0.20	600
	EWS0805UC20N□ST	20.0	250	55@500MHz	2600	0.22	500
	EWS0805UC22N□ST	22.0	250	55@500MHz	2600	0.22	500
	EWS0805UC23N□ST	23.0	250	50@500MHz	2400	0.22	500
	EWS0805UC24N□ST	24.0	250	50@500MHz	2400	0.22	500
	EWS0805UC25N□ST	25.0	250	50@500MHz	2450	0.22	500
	EWS0805UC27N□ST	27.0	250	55@500MHz	2580	0.25	500
	EWS0805UC30N□ST	30.0	250	55@500MHz	2400	0.25	500
	EWS0805UC33N□ST	33.0	250	60@500MHz	2150	0.27	500
	EWS0805UC36N□ST	36.0	250	55@500MHz	1900	0.27	500
	EWS0805UC39N□ST	39.0	250	60@500MHz	1850	0.29	500
	EWS0805UC43N□ST	43.0	200	60@500MHz	1800	0.34	500
	EWS0805UC47N□ST	47.0	200	60@500MHz	1700	0.31	500
EWS0805UC50N□ST	50.0	200	60@500MHz	1650	0.34	500	
EWS0805UC56N□ST	56.0	200	60@500MHz	1600	0.34	500	
EWS0805UC62N□ST	62.0	200	60@500MHz	1450	0.36	500	
EWS0805UC64N□ST	64.0	200	60@500MHz	1500	0.38	500	
EWS0805UC66N□ST	66.0	200	60@500MHz	1500	0.38	500	
EWS0805UC68N□ST	68.0	200	60@500MHz	1500	0.38	500	
EWS0805UC75N□ST	78.0	150	60@500MHz	1400	0.40	450	
EWS0805UC78N□ST	75.0	150	60@500MHz	1400	0.40	450	
EWS0805UC82N□ST	82.0	150	65@500MHz	1330	0.42	400	

※Design as Customer's Requested Specifications.



Balun Transformer | Coupler | Divider | Inductor | Choke | Bead Air Coil | LAN Transformer

Zuhai Eastever Electronic Co.,Ltd | Building 5,Yuxun Science Park,7 Pingxi 1st Rd,Xiangzhou Dt,Zuhai | www.east-ever.com | james@east-ever.com | TEL:" 86-756-8898808

Wire Wound Chip Inductors



EWS Series(0402/0603/0805/1008/1210/1812)

REV: 0

▪ Product Specifications---EWS0805UC

SERIES	PART NUMBER	INDUCTANCE (nH)	Test Freq (MHz)	Q (min)	SRF(min) (MHz)	DCR(max) (Ω)	Irms(max) (mA)
EWS0805UC	EWS0805UC91N□ST	91	150	65@500MHz	1330	0.48	400
	EWS0805UC92N□ST	92	150	65@500MHz	1330	0.48	400
	EWS0805UCR10□ST	100	150	65@500MHz	1250	0.46	400
	EWS0805UCR11□ST	110	150	50@250MHz	1100	0.48	400
	EWS0805UCR12□ST	120	150	50@250MHz	1100	0.51	400
	EWS0805UCR14□ST	140	100	50@250MHz	920	0.56	400
	EWS0805UCR15□ST	150	100	50@250MHz	920	0.56	400
	EWS0805UCR16□ST	160	100	50@250MHz	920	0.60	400
	EWS0805UCR18□ST	180	100	50@250MHz	920	0.64	400
	EWS0805UCR20□ST	200	100	50@250MHz	860	0.68	400
	EWS0805UCR215□ST	215	100	50@250MHz	820	0.70	400
	EWS0805UCR22□ST	220	100	50@250MHz	820	0.70	400
	EWS0805UCR24□ST	240	100	44@250MHz	770	1.00	350
	EWS0805UCR25□ST	250	100	45@250MHz	750	1.20	350
	EWS0805UCR27□ST	270	100	48@250MHz	730	1.00	350
	EWS0805UCR28□ST	280	100	48@250MHz	550	1.35	350
	EWS0805UCR29□ST	290	150	48@250MHz	450	1.40	310
	EWS0805UCR30□ST	300	150	48@250MHz	450	1.40	310
	EWS0805UCR33□ST	330	100	48@250MHz	650	1.40	310
	EWS0805UCR36□ST	360	100	48@250MHz	630	1.45	300
	EWS0805UCR39□ST	390	100	48@250MHz	600	1.50	290
	EWS0805UCR42□ST	420	50	33@100MHz	425	1.70	250
	EWS0805UCR43□ST	430	50	33@100MHz	425	1.70	250
	EWS0805UCR47□ST	470	50	33@100MHz	375	1.76	250
	EWS0805UCR56□ST	560	25	23@50MHz	330	1.90	230
	EWS0805UCR62□ST	620	25	23@50MHz	320	2.20	210
	EWS0805UCR68□ST	680	25	23@50MHz	310	2.20	190
	EWS0805UCR75□ST	750	25	23@50MHz	310	2.30	180
	EWS0805UCR82□ST	820	25	23@50MHz	310	2.35	180
	EWS0805UCR88□ST	880	25	23@50MHz	310	2.35	180
	EWS0805UCR91□ST	910	25	22@50MHz	250	2.45	170
	EWS0805UC1R0□ST	1000	25	20@50MHz	220	2.50	170
	EWS0805UC1R2□ST	1200	25	20@25MHz	180	2.90	150
	EWS0805UC1R5□ST	1500	25	20@25MHz	160	3.30	150
	EWS0805UC1R6□ST	1600	25	20@25MHz	140	3.40	150
	EWS0805UC1R8□ST	1800	25	20@25MHz	130	3.50	120
EWS0805UC2R2□ST	2200	25	20@25MHz	100	4.50	120	
EWS0805UC2R7□ST	2700	25	18@25MHz	80	4.80	100	
EWS0805UC3R0□ST	3000	25	18@25MHz	60	5.00	60	
EWS0805UC3R3□ST	3300	25	18@25MHz	50	6.80	50	
EWS0805UC4R7□ST	4700	25	18@25MHz	40	7.00	30	

※Design as Customer's Requested Specifications.

Wire Wound Chip Inductors



EWS Series(0402/0603/0805/1008/1210/1812)

REV: 0

Product Specifications---EWS1008UC

SERIES	PART NUMBER	INDUCTANCE (nH)	Test Freq (MHz)	Q (min)	SRF(min) (MHz)	DCR(max) (Ω)	Irms(max) (mA)
EWS1008UC	EWS1008UC3N9□ST	3.9	50	50@500MHz	4100	0.08	1000
	EWS1008UC4N7□ST	4.7	50	50@500MHz	4100	0.08	1000
	EWS1008UC5N6□ST	5.6	50	30@500MHz	4100	0.20	650
	EWS1008UC6N2□ST	6.2	50	20@500MHz	4100	0.20	400
	EWS1008UC10N□ST	10	50	50@500MHz	4100	0.08	1000
	EWS1008UC12N□ST	12	50	50@500MHz	3300	0.09	1000
	EWS1008UC15N□ST	15	50	50@500MHz	2500	0.10	1000
	EWS1008UC18N□ST	18	50	50@350MHz	2500	0.11	1000
	EWS1008UC22N□ST	22	50	55@350MHz	2400	0.12	1000
	EWS1008UC24N□ST	24	50	55@350MHz	1600	0.13	1000
	EWS1008UC27N□ST	27	50	55@350MHz	1600	0.13	1000
	EWS1008UC33N□ST	33	50	60@350MHz	1600	0.14	1000
	EWS1008UC36N□ST	36	50	60@350MHz	1500	0.15	1000
	EWS1008UC39N□ST	39	50	60@350MHz	1500	0.15	1000
	EWS1008UC47N□ST	47	50	65@350MHz	1500	0.16	1000
	EWS1008UC51N□ST	51	50	65@350MHz	1300	0.18	1000
	EWS1008UC54N□ST	54	50	65@350MHz	1300	0.18	1000
	EWS1008UC56N□ST	56	50	65@350MHz	1300	0.18	1000
	EWS1008UC65N□ST	65	50	65@350MHz	1300	0.20	1000
	EWS1008UC68N□ST	68	50	65@350MHz	1300	0.20	1000
	EWS1008UC75N□ST	75	50	60@350MHz	1000	0.22	1000
	EWS1008UC82N□ST	82	50	60@350MHz	1000	0.22	1000
	EWS1008UCR10□ST	100	25	60@350MHz	1000	0.56	650
	EWS1008UCR11□ST	110	25	60@350MHz	950	0.63	650
	EWS1008UCR12□ST	120	25	60@350MHz	950	0.63	650
	EWS1008UCR15□ST	150	25	45@100MHz	850	0.70	580
	EWS1008UCR18□ST	180	25	45@100MHz	750	0.77	620
	EWS1008UCR185□ST	185	25	45@100MHz	750	0.77	620
	EWS1008UCR20□ST	200	25	45@100MHz	700	0.84	500
	EWS1008UCR21□ST	210	25	45@100MHz	700	0.84	500
EWS1008UCR215□ST	215	25	45@100MHz	700	0.84	500	
EWS1008UCR22□ST	220	25	45@100MHz	700	0.84	500	
EWS1008UCR235□ST	235	25	45@100MHz	700	0.84	500	
EWS1008UCR24□ST	240	25	45@100MHz	700	0.84	500	
EWS1008UCR26□ST	260	25	45@100MHz	600	0.91	500	
EWS1008UCR27□ST	270	25	45@100MHz	600	0.91	500	

※Design as Customer's Requested Specifications.

Wire Wound Chip Inductors



EWS Series(0402/0603/0805/1008/1210/1812)

REV: 0

▪ Product Specifications---EWS1008UC

SERIES	PART NUMBER	INDUCTANCE (nH)	Test Freq (MHz)	Q (min)	SRF(min) (MHz)	DCR(max) (Ω)	Irms(max) (mA)
EWS1008UC	EWS1008UCR29□ST	290	25	45@100MHz	570	1.05	450
	EWS1008UCR30□ST	300	25	45@100MHz	570	1.05	450
	EWS1008UCR33□ST	330	25	45@100MHz	570	1.05	450
	EWS1008UCR35□ST	350	25	45@100MHz	500	1.12	470
	EWS1008UCR36□ST	360	25	45@100MHz	500	1.12	470
	EWS1008UCR39□ST	390	25	45@100MHz	500	1.12	470
	EWS1008UCR43□ST	430	25	45@100MHz	450	1.19	470
	EWS1008UCR47□ST	470	25	45@100MHz	450	1.19	470
	EWS1008UCR51□ST	510	25	45@100MHz	415	1.33	400
	EWS1008UCR54□ST	540	25	45@100MHz	415	1.33	400
	EWS1008UCR56□ST	560	25	45@100MHz	415	1.33	400
	EWS1008UCR62□ST	620	25	45@100MHz	375	1.40	300
	EWS1008UCR64□ST	640	25	45@100MHz	375	1.40	300
	EWS1008UCR66□ST	660	25	45@100MHz	375	1.47	400
	EWS1008UCR68□ST	680	25	45@100MHz	375	1.47	400
	EWS1008UCR75□ST	750	25	45@100MHz	360	1.54	360
	EWS1008UCR82□ST	820	25	45@100MHz	350	1.61	400
	EWS1008UCR88□ST	880	25	35@50MHz	320	1.68	380
	EWS1008UCR91□ST	910	25	35@50MHz	320	1.68	380
	EWS1008UC1R0□ST	1000	25	35@50MHz	290	1.75	370
	EWS1008UC1R2□ST	1200	7.9	35@50MHz	250	2.00	310
	EWS1008UC1R5□ST	1500	7.9	28@50MHZ	200	2.30	330
	EWS1008UC1R6□ST	1600	7.9	28@50MHZ	200	2.30	330
	EWS1008UC1R8□ST	1800	7.9	28@50MHZ	160	2.60	300
	EWS1008UC2R0□ST	2000	7.9	28@50MHZ	160	2.80	280
	EWS1008UC2R2□ST	2200	7.9	28@50MHZ	160	2.80	280
	EWS1008UC2R7□ST	2700	7.9	22@25MHz	140	3.20	290
	EWS1008UC3R3□ST	3300	7.9	22@25MHz	110	3.40	290
	EWS1008UC3R9□ST	3900	7.9	20@25MHz	100	3.60	260
	EWS1008UC4R7□ST	4700	7.9	20@7.9MHz	60	4.00	260
EWS1008UC5R6□ST	5600	7.9	16@7.9MHz	20	5.70	240	
EWS1008UC6R8□ST	6800	7.9	18@7.9MHz	40	7.70	200	
EWS1008UC8R2□ST	8200	7.9	18@7.9MHz	25	10.70	170	
EWS1008UC100□ST	10000	7.9	18@7.9MHz	25	12.70	100	

※Design as Customer's Requested Specifications.

Wire Wound Chip Inductors



EWS Series(0402/0603/0805/1008/1210/1812)

REV: 0

▪ Product Specifications---EWS1210UC

SERIES	PART NUMBER	INDUCTANCE (nH)	Test Freq (MHz)	Q (min)	SRF(min) (MHz)	DCR(max) (Ω)	Irms(max) (mA)
EWS1210UC	EWS1210UC12N□ST	12	100	40@300MHz	3200	0.08	1000
	EWS1210UC15N□ST	15	100	40@300MHz	3200	0.20	1000
	EWS1210UC33N□ST	33	100	55@300MHz	1800	0.11	1000
	EWS1210UC56N□ST	56	100	55@300MHz	1450	0.14	1000
	EWS1210UCR10□ST	100	100	55@300MHz	900	0.20	850
	EWS1210UCR12□ST	120	100	60@300MHz	800	0.25	800
	EWS1210UCR15□ST	150	100	60@300MHz	700	0.30	750
	EWS1210UCR18□ST	180	50	60@300MHz	650	0.30	700
	EWS1210UCR22□ST	220	50	60@300MHz	650	0.40	770
	EWS1210UCR24□ST	240	50	40@300MHz	580	0.40	630
	EWS1210UCR27□ST	270	50	40@300MHz	580	0.40	630
	EWS1210UCR33□ST	330	50	45@150MHz	580	0.58	590
	EWS1210UCR36□ST	360	50	45@150MHz	510	0.58	530
	EWS1210UCR39□ST	390	50	45@150MHz	510	0.58	530
	EWS1210UCR47□ST	470	50	45@150MHz	480	1.00	490
	EWS1210UCR68□ST	680	25	45@150MHz	400	1.20	430
	EWS1210UC1R0□ST	1000	25	45@150MHz	340	1.85	320
	EWS1210UC1R5□ST	1500	7.9	20@50MHz	160	2.70	310
	EWS1210UC1R8□ST	1800	7.9	30@50MHz	160	3.50	310
	EWS1210UC2R2□ST	2200	7.9	25@50MHz	130	2.41	310
	EWS1210UC2R7□ST	2700	7.9	25@50MHz	110	3.50	300
	EWS1210UC3R3□ST	3300	7.9	20@25MHz	60	4.00	290
	EWS1210UC4R7□ST	4700	7.9	20@25MHz	60	5.00	280
	EWS1210UC5R6□ST	5600	7.9	15@25MHz	50	6.00	250
	EWS1210UC6R8□ST	6800	7.9	15@7.9MHz	40	9.00	230
	EWS1210UC7R5□ST	7500	7.9	20@7.9MHz	50	9.50	170
EWS1210UC8R2□ST	8200	7.9	20@7.9MHz	50	9.50	170	
EWS1210UC100□ST	10000	7.9	15@7.9MHz	30	10.00	150	

※Design as Customer's Requested Specifications.

Wire Wound Chip Inductors



EWS Series(0402/0603/0805/1008/1210/1812)

REV: 0

▪ Product Specifications---EWS0402IF

SERIES	PART NUMBER	INDUCTANCE (nH)	Test Freq (MHz)	SRF(min) (MHz)	DCR(max) (Ω)	Irms(max) (mA)
EWS0402IF	EWS0402IF20N□ST	20	7.9	2600	0.050	1600
	EWS0402IF22N□ST	22	7.9	2500	0.065	1300
	EWS0402IF33N□ST	33	7.9	2300	0.060	1400
	EWS0402IF36N□ST	36	7.9	2300	0.075	1300
	EWS0402IF39N□ST	39	7.9	2200	0.115	830
	EWS0402IF51N□ST	51	7.9	1930	0.070	1100
	EWS0402IF56N□ST	56	7.9	1900	0.095	1000
	EWS0402IF72N□ST	72	7.9	1650	0.100	1000
	EWS0402IF78N□ST	78	7.9	1600	0.130	970
	EWS0402IFR10□ST	100	7.9	1400	0.160	900
	EWS0402IFR14□ST	140	7.9	1220	0.260	630
	EWS0402IFR18□ST	180	7.9	1150	0.280	560
	EWS0402IFR20□ST	200	7.9	1000	0.440	400
	EWS0402IFR22□ST	220	7.9	1150	0.530	380
	EWS0402IFR25□ST	250	7.9	900	0.360	520
	EWS0402IFR27□ST	270	7.9	860	0.900	360
	EWS0402IFR30□ST	300	7.9	860	0.410	420
	EWS0402IFR33□ST	330	7.9	820	0.560	350
	EWS0402IFR36□ST	360	7.9	810	0.575	300
	EWS0402IFR39□ST	390	7.9	760	1.000	300
EWS0402IFR42□ST	420	7.9	700	0.700	340	
EWS0402IFR47□ST	470	7.9	650	0.730	310	
EWS0402IFR56□ST	560	7.9	600	1.200	200	
EWS0402IFR82□ST	820	7.9	385	5.850	90	

※Design as Customer's Requested Specifications.

Wire Wound Chip Inductors



EWS Series(0402/0603/0805/1008/1210/1812)

REV: 0

▪ Product Specifications---EWS0603IF

SERIES	PART NUMBER	INDUCTANCE (μ H)	Test Freq (MHz)	Q (min)	SRF(min) (MHz)	DCR(max) (Ω)	Irms(max) (mA)
EWS0603IF	EWS0603IFR10□ST	0.10	7.9	12	1150	0.13	1000
	EWS0603IFR15□ST	0.15	7.9	12	950	0.15	1000
	EWS0603IFR18□ST	0.18	7.9	12	950	0.20	1000
	EWS0603IFR20□ST	0.20	7.9	12	1030	0.20	740
	EWS0603IFR22□ST	0.22	7.9	12	775	0.30	700
	EWS0603IFR27□ST	0.27	7.9	12	775	0.30	700
	EWS0603IFR33□ST	0.33	7.9	12	725	0.32	600
	EWS0603IFR39□ST	0.39	7.9	12	620	0.51	500
	EWS0603IFR47□ST	0.47	7.9	12	540	0.62	420
	EWS0603IFR51□ST	0.51	7.9	12	600	0.65	400
	EWS0603IFR56□ST	0.56	7.9	12	600	0.65	400
	EWS0603IFR68□ST	0.68	7.9	12	500	1.00	380
	EWS0603IFR75□ST	0.75	7.9	12	500	1.30	350
	EWS0603IFR82□ST	0.82	7.9	12	500	1.30	350
	EWS0603IF1R0□ST	1.00	7.9	12	400	1.50	330
	EWS0603IF1R2□ST	1.20	7.9	12	380	1.70	320
	EWS0603IF1R5□ST	1.50	7.9	12	300	1.90	310
	EWS0603IF1R8□ST	1.80	7.9	12	180	2.20	300
	EWS0603IF2R0□ST	2.00	7.9	12	180	2.30	280
	EWS0603IF2R2□ST	2.20	7.9	12	180	2.30	280
	EWS0603IF2R7□ST	2.70	7.9	12	150	2.60	250
	EWS0603IF3R3□ST	3.30	7.9	12	150	2.90	230
	EWS0603IF3R9□ST	3.90	7.9	12	120	3.20	210
	EWS0603IF4R7□ST	4.70	7.9	12	100	4.00	200
	EWS0603IF5R1□ST	5.10	7.9	15	32	2.60	240
	EWS0603IF5R6□ST	5.60	7.9	15	32	2.60	240
	EWS0603IF6R8□ST	6.80	7.9	12	31	3.90	200
	EWS0603IF8R2□ST	8.20	7.9	12	26	4.20	190
	EWS0603IF100□ST	10.00	2.5	10	25	4.80	180
	EWS0603IF150□ST	15.00	2.5	10	23	8.50	170
EWS0603IF180□ST	18.00	2.5	10	22	10.00	160	
EWS0603IF220□ST	22.00	2.5	10	10	12.00	100	

※Design as Customer's Requested Specifications.

Wire Wound Chip Inductors



EWS Series(0402/0603/0805/1008/1210/1812)

REV: 0

▪ Product Specifications---EWS0805IF

SERIES	PART NUMBER	INDUCTANCE (μ H)	Test Freq (MHz)	Q (min)	SRF(min) (MHz)	DCR(max) (Ω)	Irms(max) (mA)
EWS0805IF	EWS0805IFR10□ST	0.1	7.9	19	340	0.69	500
	EWS0805IFR22□ST	0.22	7.9	19	480	0.40	600
	EWS0805IFR33□ST	0.33	7.9	19	500	0.31	720
	EWS0805IFR39□ST	0.39	7.9	19	500	0.31	720
	EWS0805IFR47□ST	0.47	7.9	19	500	0.31	720
	EWS0805IFR68□ST	0.68	7.9	19	400	0.46	590
	EWS0805IFR88□ST	0.88	7.9	12	360	1.00	520
	EWS0805IFR91□ST	0.91	7.9	12	360	1.00	500
	EWS0805IF1R0□ST	1	7.9	12	360	1.00	430
	EWS0805IF1R2□ST	1.2	7.9	12	350	1.15	410
	EWS0805IF1R5□ST	1.5	7.9	12	300	1.20	400
	EWS0805IF1R8□ST	1.8	7.9	12	300	1.35	380
	EWS0805IF2R2□ST	2.2	7.9	12	170	1.50	350
	EWS0805IF2R7□ST	2.7	7.9	12	100	1.70	320
	EWS0805IF3R3□ST	3.3	7.9	12	90	1.80	300
	EWS0805IF3R9□ST	3.9	7.9	12	90	1.95	280
	EWS0805IF4R7□ST	4.7	7.9	12	85	2.05	250
	EWS0805IF5R6□ST	5.6	7.9	12	70	2.30	240
	EWS0805IF6R8□ST	6.8	7.9	12	55	2.60	220
	EWS0805IF8R0□ST	8	7.9	12	50	3.00	180
	EWS0805IF8R2□ST	8.2	7.9	12	50	3.00	180
	EWS0805IF100□ST	10	2.5	10	30	3.20	150
	EWS0805IF120□ST	12	2.5	10	17	3.50	100
	EWS0805IF150□ST	15	2.5	10	16	4.20	100
	EWS0805IF180□ST	18	2.5	10	15	4.50	95
	EWS0805IF220□ST	22	2.5	10	14	6.00	80
EWS0805IF390□ST	39	2.5	10	14	10.00	60	
EWS0805IF470□ST	47	2.5	10	14	13.80	55	
EWS0805IF101□ST	100	1	1	8	5	25.00	30

※Design as Customer's Requested Specifications.

Wire Wound Chip Inductors



EWS Series(0402/0603/0805/1008/1210/1812)

REV: 0

▪ Product Specifications---EWS1008IF

SERIES	PART NUMBER	INDUCTANCE (μH)	Test Freq (MHz)	Q (min)	SRF(min) (MHz)	DCR(max) (Ω)	Irms(max) (mA)
EWS1008IF	EWS1008IFR56□ST	0.56	7.9	12	230	0.62	700
	EWS1008IFR68□ST	0.68	7.9	12	230	0.62	700
	EWS1008IFR82□ST	0.82	7.9	12	230	0.62	700
	EWS1008IF1R0□ST	1	7.9	18	230	0.62	700
	EWS1008IF1R2□ST	1.2	7.9	18	210	0.68	650
	EWS1008IF1R5□ST	1.5	7.9	18	190	0.76	630
	EWS1008IF1R8□ST	1.8	7.9	18	170	0.84	600
	EWS1008IF2R2□ST	2.2	7.9	18	150	1.10	520
	EWS1008IF2R7□ST	2.7	7.9	18	135	1.28	490
	EWS1008IF3R3□ST	3.3	7.9	18	120	1.46	450
	EWS1008IF3R9□ST	3.9	7.9	18	105	1.56	420
	EWS1008IF4R7□ST	4.7	7.9	18	90	2.00	400
	EWS1008IF5R6□ST	5.6	7.9	15	80	1.80	380
	EWS1008IF6R8□ST	6.8	7.9	15	70	2.00	360
	EWS1008IF8R2□ST	8.2	7.9	15	65	2.65	330
	EWS1008IF100□ST	10	2.5	12	60	2.95	300
	EWS1008IF180□ST	18	2.5	12	26	4.00	160
	EWS1008IF220□ST	22	2.5	12	22	6.14	270
	EWS1008IF300□ST	30	2.5	10	12	6.80	200
	EWS1008IF330□ST	33	2.5	10	12	7.00	200
	EWS1008IF390□ST	39	2.5	10	16	10.00	170
	EWS1008IF470□ST	47	2.5	10	10	10.70	160
	EWS1008IF560□ST	56	2.5	10	8	12.00	170
	EWS1008IF680□ST	68	2.5	10	6	13.50	145
EWS1008IF820□ST	82	2.5	8	6	20.00	100	
EWS1008IF101□ST	100	1	8	4	20.50	120	

※Design as Customer's Requested Specifications.

Wire Wound Chip Inductors



EWS Series(0402/0603/0805/1008/1210/1812)

REV: 0

▪ Product Specifications---EWS1812IF

SERIES	PART NUMBER	INDUCTANCE (μ H)	Tolerance (%)	Q (min)	SRF(min) (MHz)	DCR(max) (Ω)	IDC(max) (mA)
EWS1812IF	EWS1210IFR56□ST	0.56	25	20	180	0.55	450
	EWS1210IF1R5□ST	1.5	7.9	20	200	0.40	450
	EWS1210IF1R8□ST	1.8	7.9	20	195	0.50	450
	EWS1210IF2R2□ST	2.2	7.9	20	175	0.80	450
	EWS1210IF4R7□ST	4.7	7.9	18	60	1.30	350
	EWS1210IF5R6□ST	5.6	2.5	18	50	2.00	320
	EWS1210IF100□ST	10	2.5	15	30	1.00	300
	EWS1210IF150□ST	15	2.5	15	22	2.00	225
	EWS1210IF180□ST	18	2.5	15	22	2.05	215
	EWS1210IF220□ST	22	2.5	15	20	2.10	210
	EWS1210IF270□ST	27	2.5	15	18	2.70	180
	EWS1210IF330□ST	33	2.5	15	15	2.90	160
	EWS1210IF470□ST	47	2.5	15	10	5.20	140
	EWS1210IF560□ST	56	2.5	8	8	5.60	125
	EWS1210IF680□ST	68	1	6	10	13.00	100
	EWS1210IF820□ST	82	1	6	10	13.00	100
	EWS1210IF101□ST	100	1	6	10	13.00	100
	EWS1210IF121□ST	100	1	6	10	13.00	100
	EWS1210IF151□ST	150	1	10	4	20.00	80
	EWS1210IF181□ST	180	1	8	3	14.50	70
	EWS1210IF201□ST	200	1	8	2.6	30.00	65
	EWS1210IF221□ST	220	1	8	2.6	30.00	65
	EWS1210IF331□ST	330	1	8	2.3	35.00	55
	EWS1210IF471□ST	470	1	8	2	42.00	40
EWS1210IF561□ST	560	1	8	2	60.00	10	
EWS1210IF621□ST	620	1	8	2	85.00	10	
EWS1210IF681□ST	680	1	6	2	90.00	10	

※Design as Customer's Requested Specifications.



Balun Transformer | Coupler | Divider | Inductor | Choke | Bead Air Coil | LAN Transformer

Zhuhai Eastever Electronic Co.,Ltd | Building 5,Yuxun Science Park,7 Pingxi 1st Rd,Xiangzhou Dt,Zhuhai | www.east-ever.com | james@east-ever.com | TEL:" 86-756-8898808

Wire Wound Chip Inductors



EWS Series(0402/0603/0805/1008/1210/1812)

REV: 0

▪ Product Specifications---EWS1812IF

SERIES	PART NUMBER	INDUCTANCE (μ H)	Tolerance (%)	Q (min)	SRF(min) (MHz)	DCR(max) (Ω)	IDC(max) (mA)
EWS1812IF	EWS1812IF1R0□ST	1.0@7.96MHz	10,5	25@7.96MHz	200	0.22	1000
	EWS1812IF1R2□ST	1.2@7.96MHz	10,5	25@7.96MHz	200	0.35	1000
	EWS1812IF1R5□ST	1.5@7.96MHz	10,5	25@7.96MHz	180	0.32	1000
	EWS1812IF1R8□ST	18@7.96MHz	10,5	25@7.96MHz	160	0.35	950
	EWS1812IF2R2□ST	2.2@7.96MHz	10,5	25@7.96MHz	150	0.37	900
	EWS1812IF2R7□ST	2.7@7.96MHz	10,5	25@7.96MHz	145	0.37	850
	EWS1812IF3R3□ST	3.3@7.96MHz	10,5	25@7.96MHz	140	0.48	800
	EWS1812IF3R9□ST	3.9@7.96MHz	10,5	25@7.96MHz	135	0.60	750
	EWS1812IF4R7□ST	4.7@7.96MHz	10,5	25@7.96MHz	120	1.00	700
	EWS1812IF5R6□ST	5.6@7.96MHz	10,5	25@7.96MHz	110	0.55	650
	EWS1812IF6R8□ST	6.8@7.96MHz	10,5	25@7.96MHz	80	0.80	600
	EWS1812IF8R2□ST	8.2@7.96MHz	10,5	20@7.96MHz	70	0.85	600
	EWS1812IF100□ST	10@2.52MHz	10,5	20@7.96MHz	60	1.0	550
	EWS1812IF120□ST	12@2.52MHz	10,5	20@7.96MHz	55	1.1	550
	EWS1812IF150□ST	15@2.52MHz	10,5	18@2.52MHz	35	1.2	500
	EWS1812IF180□ST	18@2.52MHz	10,5	18@2.53MHz	29	1.2	500
	EWS1812IF220□ST	22@2.52MHz	10,5	18@2.54MHz	20	1.3	450
	EWS1812IF270□ST	27@2.52MHz	10,5	18@2.55MHz	20	1.5	400
	EWS1812IF330□ST	33@2.52MHz	10,5	18@2.56MHz	18	1.7	350
	EWS1812IF390□ST	39@2.52MHz	10,5	18@2.57MHz	14	1.8	350
	EWS1812IF470□ST	47@2.52MHz	10,5	16@2.52MHz	10	2.0	300
	EWS1812IF560□ST	56@2.52MHz	10,5	16@2.52MHz	10	2.2	390
	EWS1812IF680□ST	68@2.52MHz	10,5	12@2.52MHz	5.4	2.4	260
	EWS1812IF820□ST	82@2.52MHz	10,5	12@2.52MHz	5.2	2.8	240
	EWS1812IF101□ST	100@0.796MHz	10,5	12@0.796MHz	4.0	3.0	220
	EWS1812IF121□ST	120@0.796MHz	10,5	10@0.796MHz	3.3	3.3	220
	EWS1812IF151□ST	150@0.796MHz	10,5	10@0.796MHz	3.0	3.7	200
	EWS1812IF181□ST	180@0.796MHz	10,5	10@0.796MHz	3.0	4.5	200
	EWS1812IF221□ST	220@0.796MHz	10,5	10@0.796MHz	2.5	8.0	170
	EWS1812IF271□ST	270@0.796MHz	10,5	10@0.796MHz	2.2	8.5	160
	EWS1812IF331□ST	330@0.796MHz	10	10@0.796MHz	2.0	9.0	150
	EWS1812IF391□ST	390@0.796MHz	10	10@0.796MHz	1.8	9.5	130
	EWS1812IF471□ST	470@0.796MHz	10	8@0.796MHz	1.6	12.0	120
	EWS1812IF561□ST	560@0.796MHz	10	8@0.796MHz	1.5	12.5	110
	EWS1812IF681□ST	680@0.796MHz	10	8@0.796MHz	1.5	14.0	100
EWS1812IF751□ST	750@0.796MHz	10	8@0.796MHz	1.5	14.5	95	
EWS1812IF821□ST	820@0.796MHz	10	8@0.796MHz	1.5	15.0	95	
EWS1812IF102□ST	1000@0.796MHz	10	6@0.252MHz	1.4	16.5	90	

※Design as Customer's Requested Specifications.