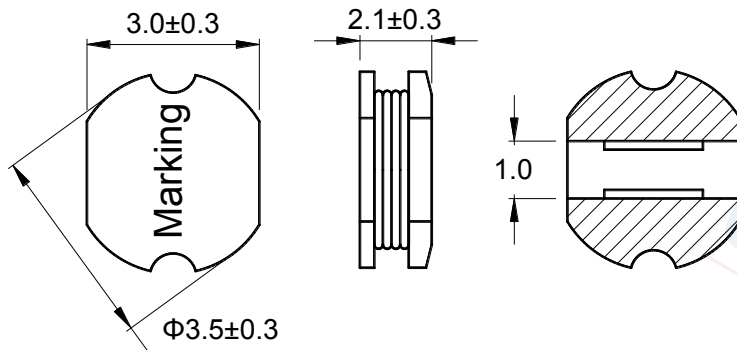


SMD Power Inductor



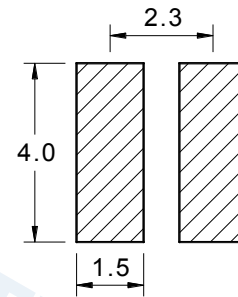
1 Appearance and dimensions (mm)

外形尺寸



2 Reference land pattern (mm)

参考基板尺寸



3 Electrical characteristics

电气特性

Part No. 型号	Inductance (μH) 电感值 ※1	D.C.R. (mΩ) 直流电阻		Saturation current (A) 饱和电流 ※2		Temperature rise current (A) 温升电流 ※3
		Typical	Max	Typical	Max	Typical
ECD32-1R0M	1.00 ±20%	26.5	31.8	4.10	3.28	3.31
ECD32-2R2M	2.20 ±20%	57.3	68.8	2.80	2.24	2.25
ECD32-3R3M	3.30 ±20%	76.6	91.9	2.45	1.96	1.95
ECD32-4R7M	4.70 ±20%	116	139	1.82	1.46	1.58
ECD32-6R8M	6.80 ±20%	143	172	1.65	1.32	1.43
ECD32-8R2M	8.20 ±20%	176	211	1.40	1.12	1.29
ECD32-100K	10.0 ±10%	207	248	1.35	1.08	1.19
ECD32-120K	12.0 ±10%	234	281	1.26	1.01	1.12
ECD32-150K	15.0 ±10%	330	396	1.10	0.88	0.94
ECD32-180K	18.0 ±10%	383	460	1.00	0.80	0.87
ECD32-220K	22.0 ±10%	410	492	0.92	0.74	0.84
ECD32-270K	27.0 ±10%	540	648	0.82	0.66	0.72
ECD32-330K	33.0 ±10%	700	840	0.80	0.64	0.63
ECD32-390K	39.0 ±10%	870	1,044	0.63	0.50	0.57
ECD32-470K	47.0 ±10%	940	1,128	0.60	0.48	0.54
ECD32-560K	56.0 ±10%	1,103	1,324	0.58	0.46	0.50
ECD32-680K	68.0 ±10%	1,560	1,872	0.52	0.42	0.42
ECD32-820K	82.0 ±10%	1,720	2,064	0.46	0.37	0.37
ECD32-101K	100 ±10%	2,270	2,724	0.41	0.33	0.32
ECD32-121K	120 ±10%	2,600	3,120	0.38	0.30	0.30
ECD32-151K	150 ±10%	3,630	4,356	0.31	0.25	0.25

All data is tested based on 25°C ambient temperature. 所有测试数据基于环境温度25°C条件下测试。

※1. Inductance measure condition at 100kHz, 0.1V. 电感测试条件为100kHz, 0.1V。

※2. Saturation current the actual value of DC current when the inductance decrease 20% of its initial value.
饱和电流: 电感值下降其初始值的20%时所加载的实际直流电流值。

※3. Temperature rise current the actual value of DC current when the temperature rise is ΔT40 (Ta=25).
温升电流: 使产品温度上升到ΔT40°C时所加载的实际直流电流值(Ta=25°C)



Balun Transformer | Coupler | Divider | Inductor | Choke | Bead Air Coil | LAN Transformer