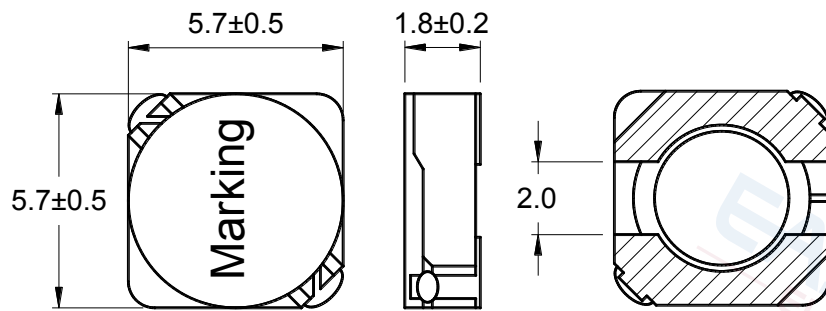


SMD Power Inductor



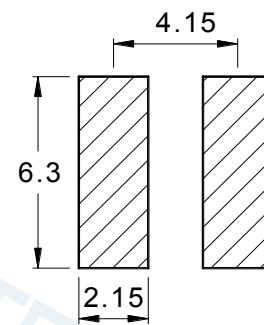
1 Appearance and dimensions (mm)

外形尺寸



2 Reference land pattern (mm)

参考基板尺寸



3 Electrical characteristics

电气特性

Part No. 型号	Inductance (μH) 电感值 ※1	D.C.R. (mΩ) 直流电阻		Saturation current (A) 饱和电流 ※2		Temperature rise current (A) 温升电流 ※3
		Typical	Max	Typical	Max	Typical
ED5D18-1R0N	1.00 ±30%	18.8	22.6	3.70	2.96	3.26
ED5D18-1R8N	1.80 ±30%	28.5	34.2	2.40	1.92	2.65
ED5D18-3R3N	3.30 ±30%	38.5	46.2	1.90	1.52	2.28
ED5D18-4R7N	4.70 ±30%	56.0	67.2	1.65	1.32	1.89
ED5D18-6R8N	6.80 ±30%	78.0	93.6	1.35	1.08	1.60
ED5D18-8R2N	8.20 ±30%	85.0	102	1.25	1.00	1.53
ED5D18-100M	10.0 ±20%	114	137	1.10	0.88	1.32
ED5D18-150M	15.0 ±20%	147	176	0.95	0.76	1.17
ED5D18-220M	22.0 ±20%	190	228	0.70	0.56	1.03
ED5D18-330M	33.0 ±20%	285	342	0.60	0.48	0.84
ED5D18-470M	47.0 ±20%	425	510	0.50	0.40	0.69
ED5D18-680M	68.0 ±20%	620	744	0.43	0.34	0.57
ED5D18-820M	82.0 ±20%	726	871	0.40	0.32	0.52
ED5D18-101M	100 ±20%	908	1,090	0.35	0.28	0.47
ED5D18-151M	150 ±20%	1,320	1,584	0.28	0.22	0.39
ED5D18-221M	220 ±20%	1,700	2,040	0.22	0.18	0.34
ED5D18-331M	330 ±20%	3,300	3,960	0.20	0.16	0.25

All data is tested based on 25 C ambient temperature. 所有测试数据基于环境温度25 C条件下测试。

※1. Inductance measure condition at 100kHz, 0.1V. 电感测试条件为100kHz, 0.1V。

※2. Saturation current the actual value of DC current when the inductance decrease 20% of its initial value.
饱和电流：电感值下降其初始值的20%时所加载的实际直流电流值。

※3. Temperature rise current the actual value of DC current when the temperature rise is ΔT40 (Ta=25).
温升电流：使产品温度上升到ΔT40 C时所加载的实际直流电流值(Ta=25 C)