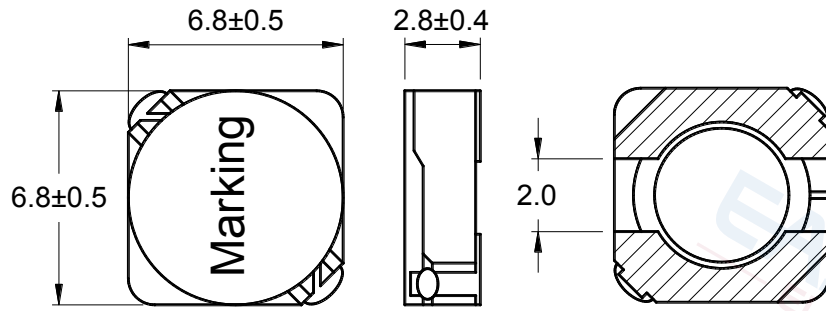


SMD Power Inductor

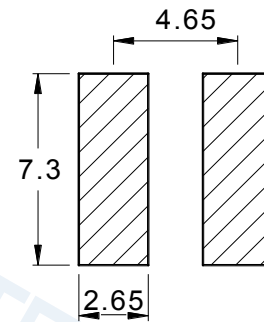
1 Appearance and dimensions (mm)

外形尺寸



2 Reference land pattern (mm)

参考基板尺寸



3 Electrical characteristics

电气特性

Part No. 型号	Inductance (μH) 电感值 ※1	D.C.R. (mΩ) 直流电阻		Saturation current (A) 饱和电流 ※2		Temperature rise current (A) 温升电流 ※3
		Typical	Max	Typical	Max	Typical
ED6D28-1R0N	1.00 ±30%	12.3	14.8	6.00	4.80	4.86
ED6D28-2R2N	2.20 ±30%	16.8	20.2	3.80	3.04	4.16
ED6D28-3R3N	3.30 ±30%	21.6	25.9	3.10	2.48	3.67
ED6D28-4R7N	4.70 ±30%	28.7	34.4	2.60	2.08	3.18
ED6D28-6R8N	6.80 ±30%	40.0	48.0	2.15	1.72	2.70
ED6D28-8R2N	8.20 ±30%	45.0	54.0	2.00	1.60	2.54
ED6D28-100M	10.0 ±20%	56.0	67.2	1.85	1.48	2.28
ED6D28-120M	12.0 ±20%	67.5	81.0	1.65	1.32	2.08
ED6D28-150M	15.0 ±20%	76.0	91.2	1.40	1.12	1.96
ED6D28-220M	22.0 ±20%	116	139	1.20	0.96	1.58
ED6D28-270M	27.0 ±20%	145	174	1.10	0.88	1.42
ED6D28-330M	33.0 ±20%	167	200	1.00	0.80	1.32
ED6D28-470M	47.0 ±20%	240	288	0.80	0.64	1.10
ED6D28-560M	56.0 ±20%	260	312	0.75	0.60	1.06
ED6D28-680M	68.0 ±20%	300	360	0.70	0.56	0.98
ED6D28-820M	82.0 ±20%	374	449	0.63	0.50	0.88
ED6D28-101M	100 ±20%	505	606	0.57	0.46	0.76
ED6D28-151M	150 ±20%	650	780	0.46	0.37	0.67
ED6D28-221M	220 ±20%	905	1,086	0.38	0.30	0.57
ED6D28-271M	270 ±20%	1,250	1,500	0.35	0.28	0.48
ED6D28-331M	330 ±20%	1,600	1,920	0.32	0.26	0.43
ED6D28-471M	470 ±20%	2,335	2,802	0.26	0.21	0.35

All data is tested based on 25°C ambient temperature. 所有测试数据基于环境温度25°C条件下测试。

※1. Inductance measure condition at 100kHz, 0.1V. 电感测试条件为100kHz, 0.1V。

※2. Saturation current the actual value of DC current when the inductance decrease 20% of its initial value.

饱和电流: 电感值下降其初始值的20%时所加载的实际直流电流值。

※3. Temperature rise current the actual value of DC current when the temperature rise is ΔT40 (Ta=25).

温升电流: 使产品温度上升到ΔT40°C时所加载的实际直流电流值(Ta=25°C)