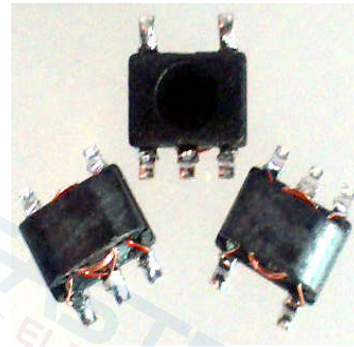
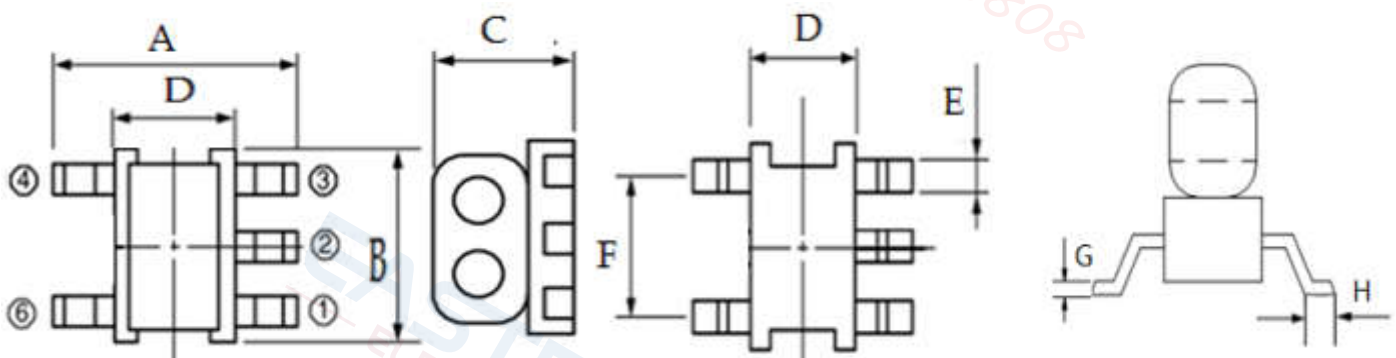


## 1、 MAXIMUM RATINGS:

- ◆ 1CT: 9 Impedance
- ◆ 75Ω Characteristic Impedance
- ◆ Frequency: 5 to 85 MHz
- ◆ RF power: 0.25W
- ◆ DC current: 30mA
- ◆ Insertion loss: 1.0dB Max; Input Return loss: 12.0dB Min
- ◆ Operating temperature range: -40°C to +125°C
- ◆ Storage temperature range: -55°C to +145°C
- ◆ For Docsis 3.0 Applications

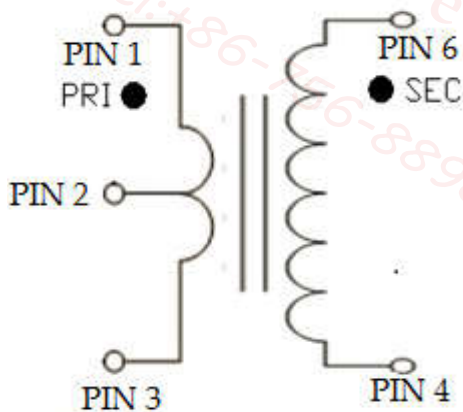


## 2、 DIMENSION DIAGRAM (Unit:mm) :

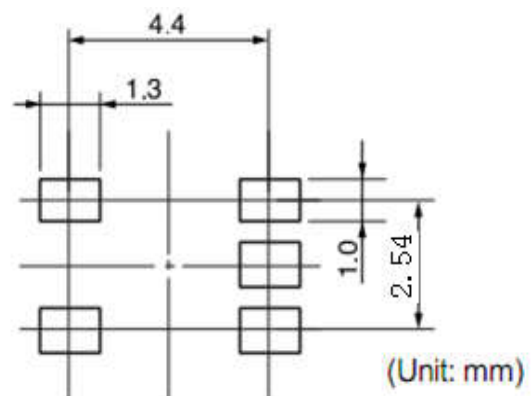


A=4.80±0.20 B=3.80±0.20 C=3.20±0.20 D=2.20±0.20 E=0.55±0.05 F=2.54±0.05 G=0.25±0.05 H=0.60±0.05

## 3、 ELECTRICAL STRUCTURE:



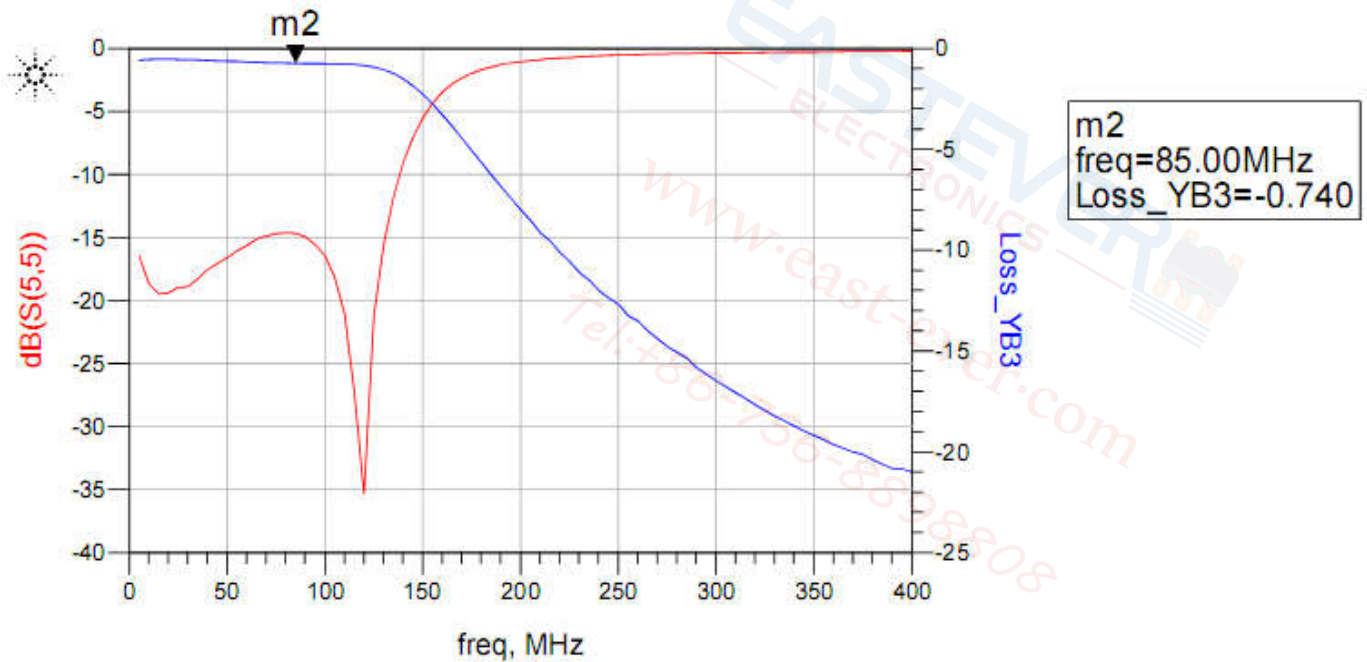
## 4、 RECOMMENDED LAYOUT:



## 5、INSERTION LOSS TEST CURVE:

Two back-to-back directly C=10pF 200pF - 10pF

**Eqn**  $Loss\_YB3 = dB(S(6,5))/2$



## 6、INPUT RETURN LOSS TEST CURVE:

Two back-to-back with attenuator 10pF - 47 pF at each balun

